



■ Description

The **ST-P-OM** is an attractively-styled, low profile photoelectric smoke detector for use in conventional fire alarm systems.

The ST-P-OM has a sophisticated **OMNIVIEW™ 360° LED indicator** which permits visibility from any angle regardless of its mounting direction. This design helps simplify its installation work as well as the occupants can easily recognize activating detectors.

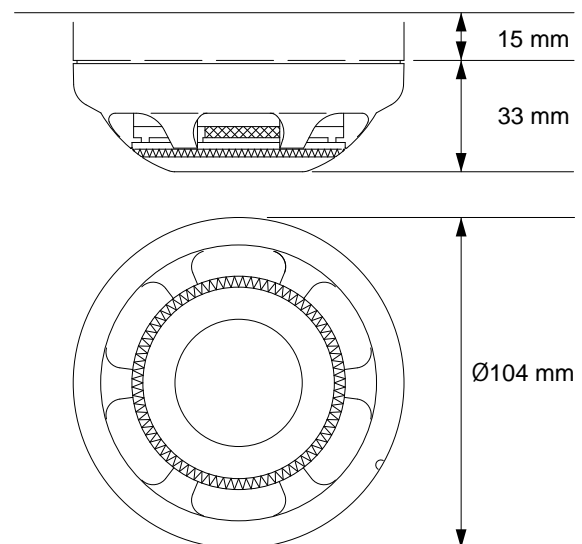
This detector has an ultra-fine chemically etched, **stainless steel insect screen** combined with a unique proprietary optical detection chamber design to dramatically reduce of false alarms. This unique design provides high resistance to chamber contamination and reduces sensitivity to potential causes of false alarms caused by such as the ingress of insects and airborne contaminants, while fully complying with the smoke detection requirements of EN54-7 standards.

Furthermore, The ST-P-OM has the facility to activate a remote LED indicator or auxiliary function, as standard.

■ Features

- High resistance to false alarms
- High resistance to chamber contamination
- Low cost of ownership due to reduced false alarms
- OMNIVIEW™ 360° LED
- Low profile, stylish appearance
- Low monitoring current
- Non-polarised terminals
- Remote indicator output
- Unauthorized head removal signal facility
- Locking mechanism to avoid unauthorized removal
- Supplied with protective dust cover

■ Dimensions



■ Mounting Base Models

Model	Description	Diameter	Number of Terminals
UB-4	Standard mounting base	104 mm (4 inch)	4
STB-4SE-24VR	Relay mounting base @ 24V	104 mm (4 inch)	6

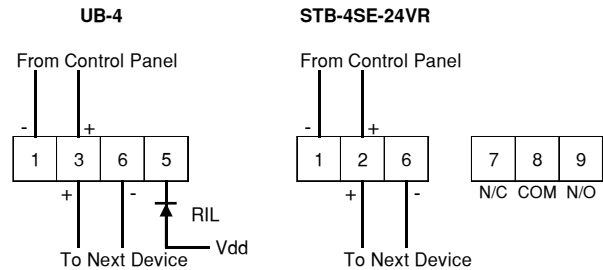
* The Model EVA-UB4-6 base is intended for applications where a 4 inch square or octagonal electrical junction box is required.

Terminal connections

The ST-P-OM detector is supplied, as standard, with four terminals. The terminals on the ST-P-OM detector head used with UB-4 base are configured as follows:

Terminal	Description
1	Zone negative in
3	Zone positive in/out
6	Zone negative out
5	2 mA @ 24 VDC switched output

Wiring



■ Specifications

Specifications	ST-P-OM
LED Visual Indicator	OMNIVIEW™ 360° LED illuminates in an alarm condition
Operating Voltage	12 VDC to 32 VDC (18VDC to 32VDC with STB-4SE-24VR)
System Voltage	24 VDC (range 12V to 30V)
Stand-by Current	40 µA ave. @ 24 VDC
Alarm Current	65 mA max.
Current for external remote LED indicator	2 mA
Sensitivity	3 % Obscuration per meter
Operating Temperature	-10 °C to +55 °C (14 °F to 131 °F)
Storage Temperature	-20 °C to +60 °C (-4 °F to 140 °F)
Relative Humidity	≤ RH 95 % non-condensing
IP Rating	IP42(Datasheet) or IP40(Tech datasheetどっち???)
Material	ABS
Dimensions	φ 104 mm x H 33 mm (Detector head only) φ 104 mm x H 48 mm (Detector head and UB-4 Base)
Weight	118 g (Detector head only) 183 g (Detector head and UB-4 base)
Standards / Certification	EN54-7: 2000

All specifications are subject to change without any notice.
For more information, contact with NITTAN.

NITTAN

54-5, 1-chome, Sasazuka,
Shibuya-ku, Tokyo 151-8535, Japan
TEL: +81-3-6407-9861 FAX: +81-3-5465-5077

Distributed By