

FIRE FIGHTERS' TELEPHONE SYSTEM



■ Description

Nittan's Firefighters' Telephone System is designed to operate in conjunction with Nittan's SPERA Series Fire Alarm System. This telephone system allows Fire Fighters easy communication with the main control panel.

The telephone system mainly consists of a model NK-FT-MCM master control module c/w a master handset, an NK-AN-BB series enclosure, EVCA-FT-PH portable handsets, and EVCA-FT-J100P telephone jack plates.

The NK-FT-MCM master control module may be used either alone as a single-zoned system, or with the NK-FT-ZSP12 zone selectors as a multi-zoned system.

The NK-FT-MCM allows up to a maximum of six phones to be answered at a time. A maximum of five NK-FT-ZSP12 zone selectors can be connected to one NK-FT-MCM, which enable a total of 60 telephone zones configuration.

■ Features

- Compatible with SPERA series fire alarm system
- Single or Multi zoned system available
- Total 60 telephone zones capability with additional zone selectors
- Fully supervised telephone circuits can be wired in Class A or Class B
- Maximum 6 phones to be answered at a time
- Heavy-duty construction
- Key-locked door
- Rugged ABS plastic handset
- Optional storage cabinet for portable handsets

■ Operation

1. To call in, obtain a Portable Handset (EVCA-FT-PH) from the handsets storage cabinet (NFU-FT-HSC6).
2. Plug-in the handset into the phone jack. The "LED" indicator on the master station will light up and the buzzer will sound indicating an emergency call is on line.
3. The other fireman will then be able to communicate with the caller by simply selecting the appropriate zone by pushing the button to engage communication link.
4. To end the communication, simply unplug the handset.
5. Return the handset back to the handsets storage cabinet when finished.



NOT TO BE USED FOR INSTALLATION PURPOSES.

Nittan reserves the right to make changes at any time without notice in prices, colours, materials, components, equipment, specifications and models and also to discontinue models.

■ Fire Fighters' Telephone System Components



NK-FT-MCM Master Firefighters' Telephone Control Module

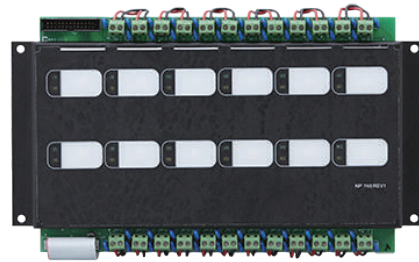
The NK-FT-MCM includes the Master Telephone Handset and common control indicators for Common Telephone Trouble, Master Telephone Trouble and Incoming Call. The NK-FT-MCM has control buttons for Lamp Test and either Connect (on common call/talk system) or Clear All (on multi zoned system). The NK-FT-MCM may be used either alone as a common call/talk system or with the NK-FT-ZSP12 Zone Selectors as a multi-zoned system. In a common call/talk system, the user will hear a buzzer at the NK-FT-MCM. By picking up the handset and selecting the 'Connect' button, the user will be able to answer the call. In a multi zoned system, the user must select the appropriate telephone zone on the NK-FT-ZSP12. If a second call comes in, the appropriate telephone zone LED will light up. To answer, the user must select the appropriate telephone zone. The NK-FT-MCM will allow up to a maximum of six phones to be answered at a time. The NK-FT-MCM is powered with a 24 VDC, 200 mA external DC power source (filtered or unfiltered). The master telephone circuit can be wired in Class 'A' (Style 'Z') or Class 'B' (Style 'Y'). The NK-FT-MCM occupies one module space in the NK-AN-BB series enclosures.



NFU-FT-HSC6 Fire Handset Storage Cabinet

The NFU-FT-HSC6 Storage Cabinet holds up to six portable EVCA-FT-PH telephone handsets. The NFU-FT-HSC6 is a surface mount enclosure and comes with a keylocked door.

Dimensions: 13.50"H x 21.25"W x 3.75"D



NK-FT-ZSP12 Zoned Firefighters' Telephone Selector Panel

The NK-FT-ZSP12 includes 12 zone selector switches, 12 zone Call-In LEDs (Green) and 12 zone trouble LEDs (Amber). The NK-FT-ZSP12 is used with the NK-FT-MCM Master Telephone Control module to provide a multi-zoned system. The telephone circuits can be wired in Class 'A' (Style 'Z') or Class 'B' (Style 'Y'). A maximum of five NK-FT-ZSP12 can be connected to the NK-FT-MCM. Slide-in labels are provided to label the telephone zones. The NK-FT-ZSP12 occupies one module space in the NK-AN-BB series enclosures.



EVCA-FT-PH Firefighters' Portable Handset

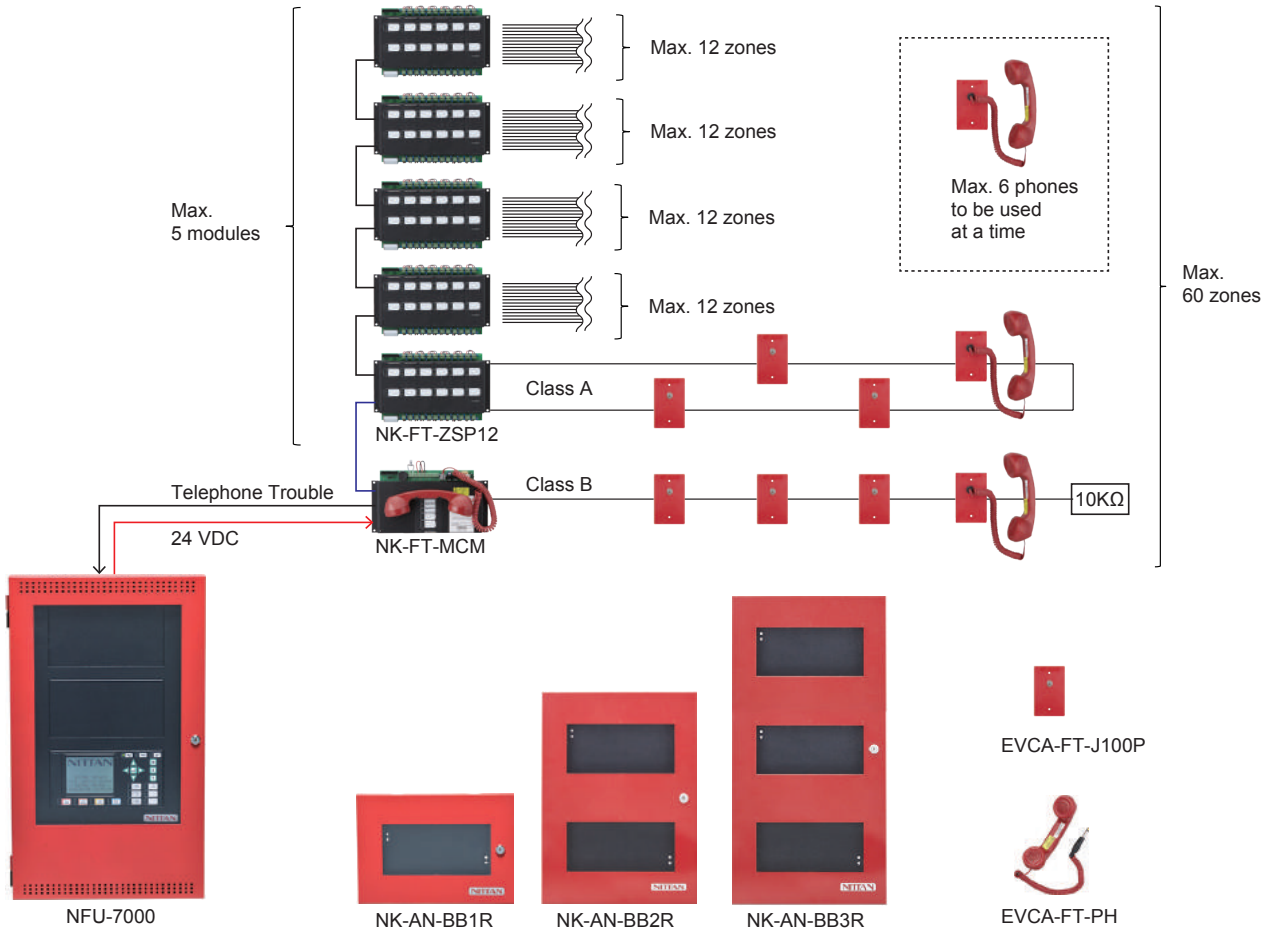
The red portable telephone handset comes with a coiled cord and a male phone plug which plugs into the Fire Fighters' Telephone Jack, allowing Fire Fighters to make direct communication with the main control panel.



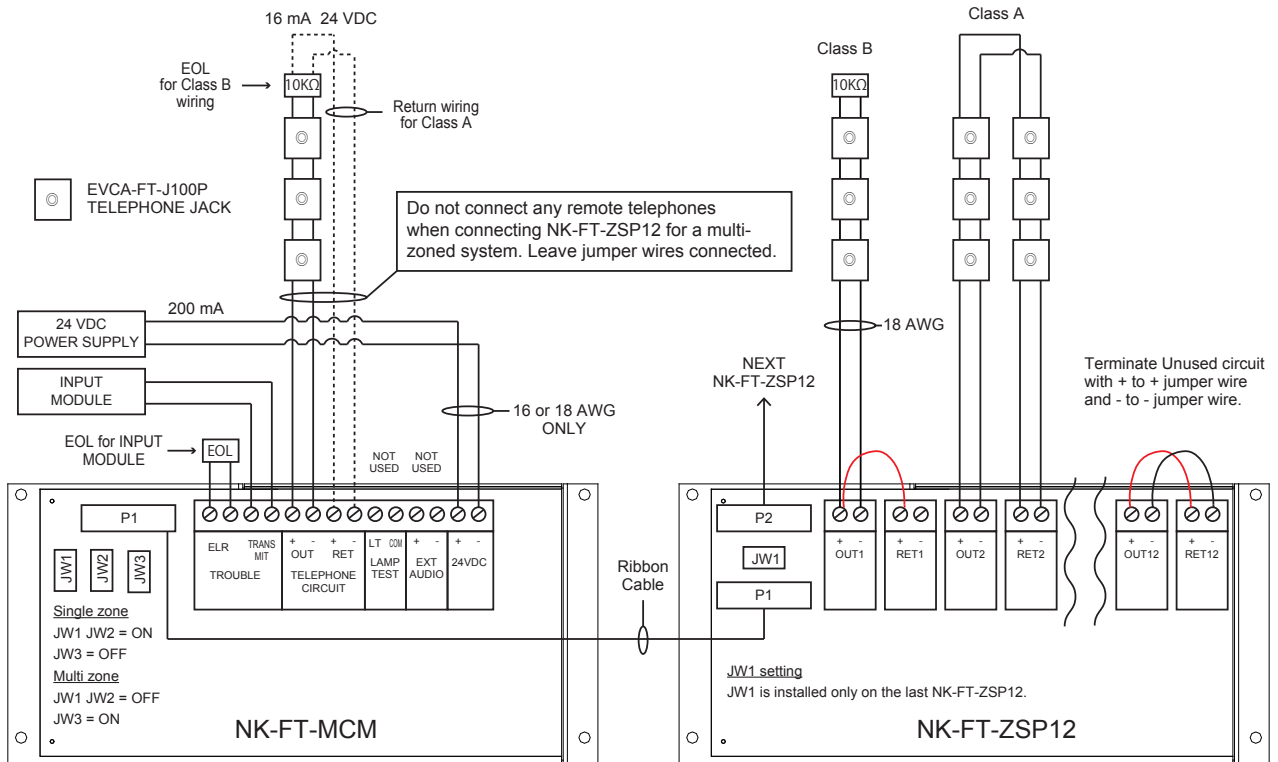
EVCA-FT-J100P Firefighters' Telephone Jack

The Fire Fighters' Telephone Jack consists of a single phone jack which is mounted on a single gang, plastic plate with reliable screw type terminals for quick and accurate wiring to the system. The plastic plate is clearly marked "FIREFIGHTER'S PHONE JACK" and mounts to any standard single gang box.

System Configuration

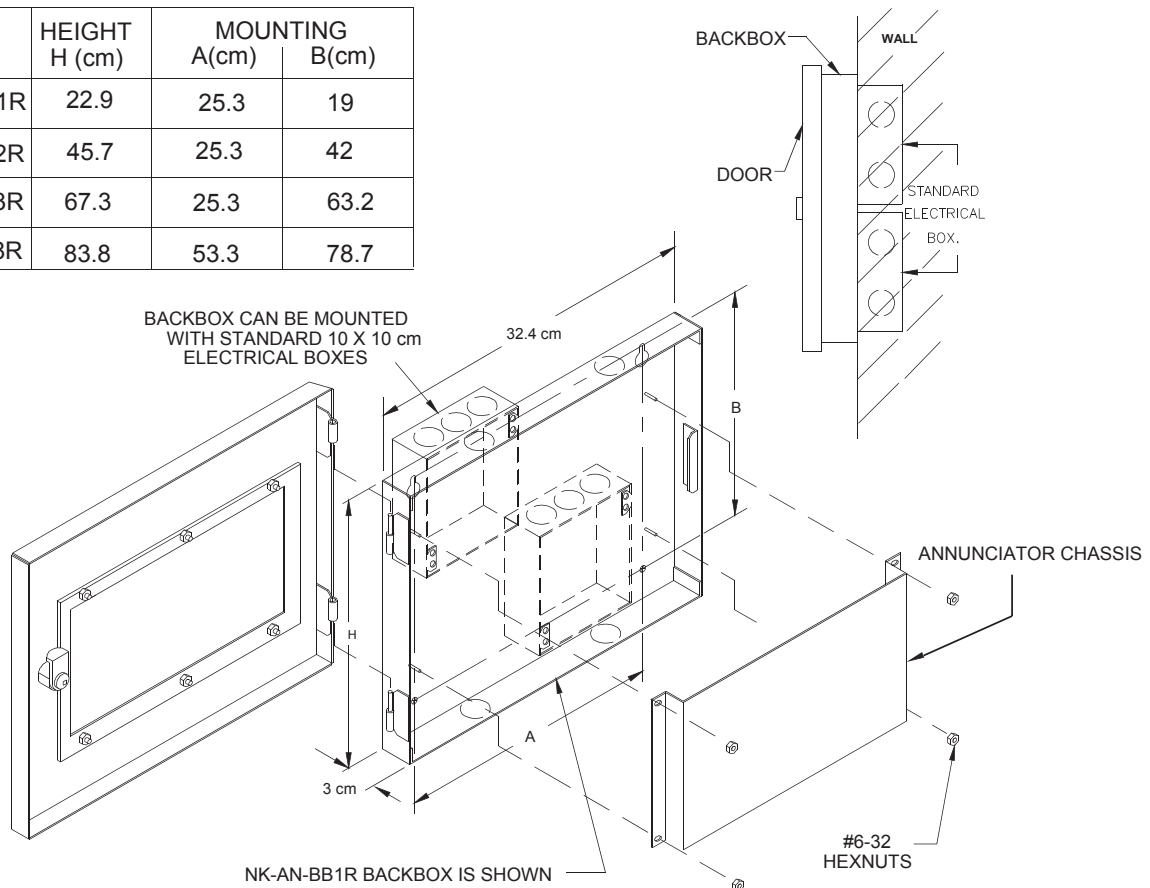


Wiring Diagram



■ Enclosure Installation

BACKBOX	HEIGHT H (cm)	MOUNTING A(cm) B(cm)	
NK-AN-BB1R	22.9	25.3	19
NK-AN-BB2R	45.7	25.3	42
NK-AN-BB3R	67.3	25.3	63.2
NK-AN-BB8R	83.8	53.3	78.7



■ Ordering Information

Model	Description
NK-FT-MCM	Master Firefighters' Telephone Control Module c/w master handset and common control functions. Mounts in NK-AN-BB series enclosures.
NK-FT-ZSP12	Zoned Firefighters' Telephone Selector Panel c/w 12 zone selector switches, 12 zone Call-In LEDs, 12 zone trouble LEDs and 12 Class A/B (Style Z/Y) telephone circuits. Mounts in NK-AN-BB series enclosures.
EVCA-FT-PH	Firefighters' Portable Handset. Mounts in NFU-FT-HSC6 storage cabinet.
EVCA-FT-J100P	Firefighters' Telephone Jack.
NFU-FT-HSC6	Fire Handset Storage Cabinet. Holds up to 6 EVCA-FT-PH portable telephone handsets.
NK-AN-BB1R	Semi-Flush Backbox with keylock door, houses 1 module.
NK-AN-BB2R	Semi-Flush Backbox with keylock door, houses 2 modules.
NK-AN-BB3R	Semi-Flush Backbox with keylock door, houses 3 modules.
NK-AN-BB8R	Semi-Flush Backbox with keylock door, houses 8 modules.

Distributed By

All specifications are subject to change without any notice.
For more information, contact with NITTAN.

NITTAN

54-5, 1-chome, Sasazuka,
Shibuya-ku, Tokyo151-8535, Japan
TEL:81-3-5333-7021 FAX:81-3-5333-8615