



■ Description

The MTE3-RD is an operational tester dedicated to Triple Waveband IR Flame Detectors. It allows safe operational testing without using flames by utilizing an infrared filter and light source.

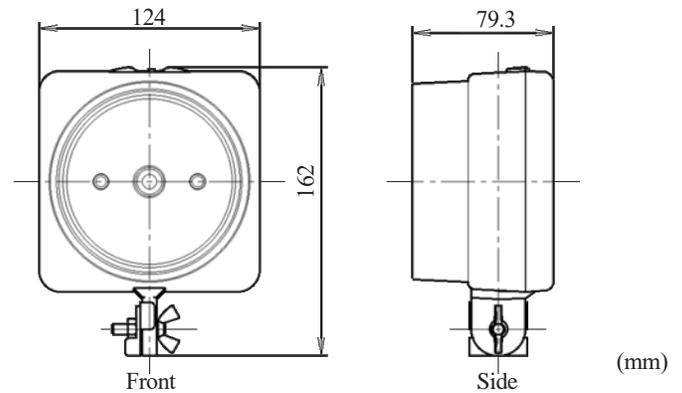
■ Specifications

Specifications	MTE3-RD
Compatible Flame Detectors	Triple Waveband IR Flame Detectors (DRD-W, DRD1-W) Explosion-proof Type Triple Waveband IR Flame Detectors (CR1D-EW, CR3D-EW)
Usage Frequency	Approximately 350 uses (depend on AA alkaline battery capacity) *1.Detector Setting: Normal (operation time 30 seconds) *2.Note: Battery life may be significantly reduced when used in environments below 5°C
Operating Environment	Temperature Range: 0 to +40°C Humidity Range: ≤ 85% RH (no condensation)
Light Source	Krypton bulb 4.8V 0.75A (Ohm Electric: SL-L4875K) Xenon bulb 4.8V 0.7A (FDK: FB216, Panasonic: MB-48P7X)
Material	Flame-resistant resin
Weight	Approximately 480g (including batteries and accessories)
Optional Accessories	Sensor attaching adapter: FZ-007 Tester rod: NKT-2, NKT-4, NKT-E, “Tokushijibou-6.5m” AA alkaline batteries
Calibration	Recommended every 5 years from the date of manufacture

■ Features

- **Safe Operation:** Utilizes an infrared filter and light source to perform safe and effective testing without risk of fire
- **Multiple Testing Methods:** Offers both limit switch and manual switch options, making it adaptable for various testing environments.
- **Portable and Lightweight:** 480g for easy field use

■ Dimensions



All specifications are subject to change without any notice.
For more information, contact with NITTAN.

Distributed By