



### ■ Features

- Durable Extruded Aluminium Construction
- Attractive, Low Profile Design
- Standard Single Gang Mount
- Converts to Double Action
- Glass Rod Optional (one provided)

### ■ Description

Attractive and durable, Nittan's EVCA-MS-F01 of manual stations provide manual fire reporting. The EVCA-MS-F01 manual stations are non-coded, single or double action devices which initiate an alarm when pulled. Resetting is accomplished by inserting a 1/8" screwdriver from the front. The handle, once pulled will remain open and cannot be reset without utilizing the screwdriver.

The EVCA-MS-F01 manual stations are constructed of durable aluminium and finished in red. An abrasion resistant label with large, raised letters provides clear legible instructions.

All manual stations can be easily converted from single action to double action station by the addition of the EVCA-MS-Dkit double action lever.

### ■ Operation

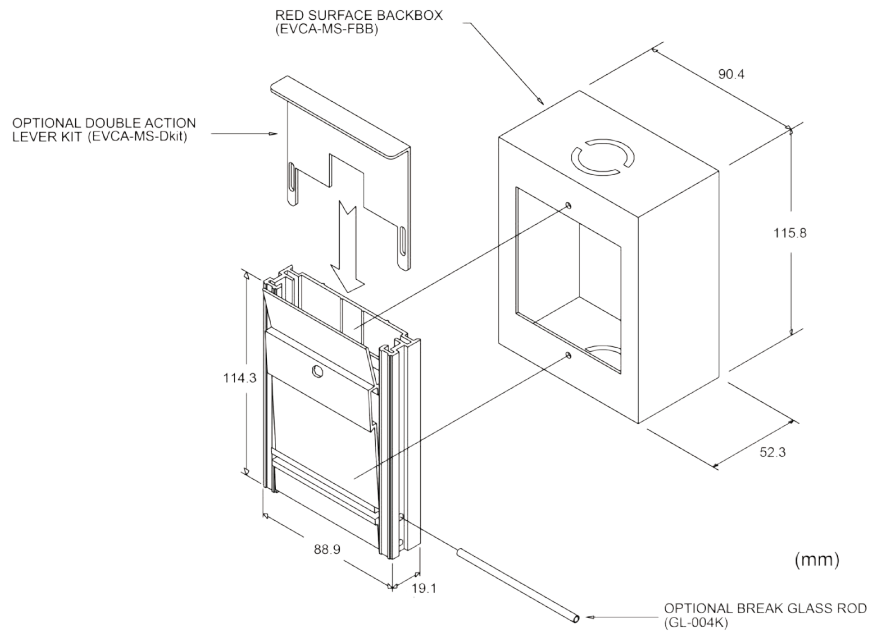
Pulling on the station's handle will release the internal switch to trigger the alarm detection circuit.

### ■ Specifications

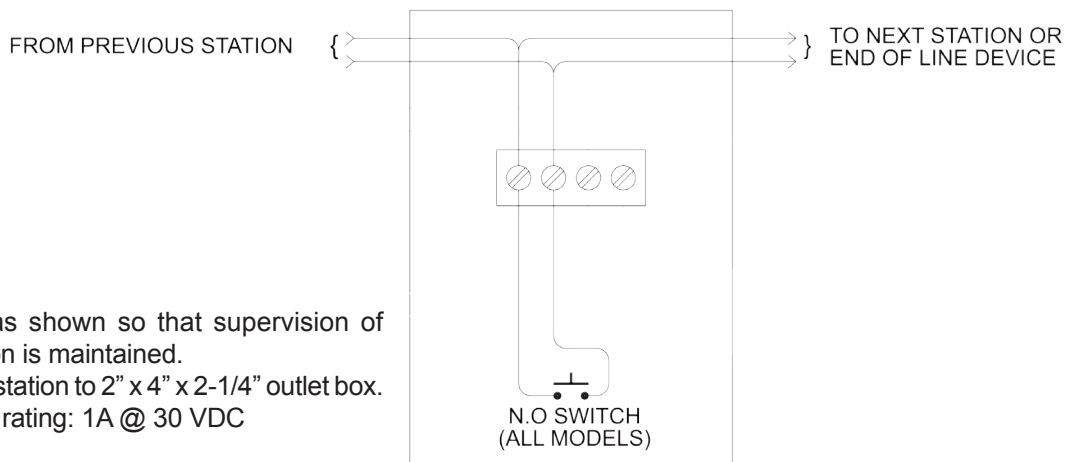
The single action manual station shall be Nittan's EVCA-MS-F01. Operating instructions shall be in raised English lettering and the unit shall be constructed of extruded aluminium, finished in red enamel paint to provide quick identification. Pulling the handle shall initiate immediate operation of the alarm detection circuit. All manual fire alarm stations shall be installed as per the specific requirements outlined in the UL codes, as well as all other applicable national or local codes.



## ■ Dimensions



## ■ Wiring Diagrams



### NOTES:

1. Wire as shown so that supervision of connection is maintained.
2. Mount station to 2" x 4" x 2-1/4" outlet box.
3. Switch rating: 1A @ 30 VDC

## ■ Ordering Information

Model	Description
EVCA-MS-F01	Single Action Manual Station
EVCA-MS-Dkit	Double Action Lever Kit
EVCA-MS-FBB	Red Surface Box for EVCA-MS-F01
GL-004K	Glass Rod Replacement for EVCA-MS-F01

Distributed By

All specifications are subject to change without any notice.  
For more information, contact with NITTAN.

**NITTAN**

54-5, 1-chome, Sasazuka,  
Shibuya-ku, Tokyo151-8535, Japan  
TEL:81-3-5333-7021 FAX:81-3-5333-8615