

## Non-Addressable Multi-tone & Strobe Notification Appliance EVCA-AP3-W-MS



### Description

The Multi-tone & strobe notification appliance, EVCA-AP3-W-MS is non-addressable, powered by 2-wire DC24V, and indoor use only. The EVCA-AP3-W-MS offer a various range of audible/visual settings in the device.

The Audible settings include Broadband Horns, Horn, Bell, Siren, Slow Whoop, 500Hz Horn, and Hi/Lo that can each be set for Standard and High volume. The visual candela settings can be configured for 15, 30, 75, and 110 cd in field. The audible setting is by a dipswitch located on the back of the unit, and the candela setting is by a scroll switch on the front of the unit.

When multiple units of EVCA-AP3-W-MS are connected to the EVCA-AP3-SFM, the sound and light between those units on the same line can be synchronized.

### Notice:

Power supplying for the EVCA-AP3-W-MS must be the regulated DC. The FWR voltage such of the NFU-7000 NAC circuit output cannot use for the EVCA-AP3-W-MS.

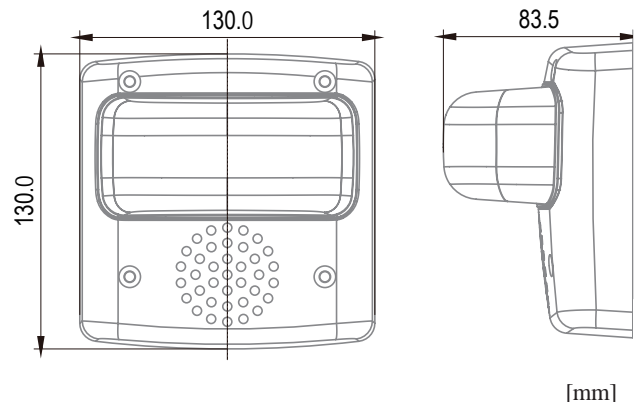


### Features

- Compact Design
- Candela settings -- 15, 30, 75, 110 cd
- Multiple field-selectable audible settings
  - Broadband Horns, Horn, Bell, Siren, Slow Whoop, 500Hz Horn, Hi/Lo
  - High and Standard volume settings
- Red finish
- Audible settings are located on the back of the unit to prevent tampering
- Supports wire type : 18 to 12 AWG
- UL 464, UL 1971
- For indoor applications

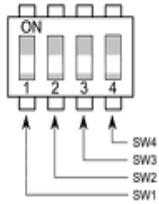
### Specifications

Nominal Voltage	Regulated 24 VDC
Operating Voltage Range	Regulated 16 VDC to 33 VDC
Strobe Flash Rate	1 flash per second
Operating Temperature	32° to 120°F(0° to 49°C)
Humidity Range	10% to 93%, non-condensing at 100°F (38°C)
Dimensions	130mm x 130mm x 83.5mm
Connections	Terminal for 18 AWG to 12 AWG (0.82mm <sup>2</sup> to 3.31 mm <sup>2</sup> )
Mounting Box	4 x 4 inch Double Gang Box
Model: EVCA-AP3-W-M	Red / Wall Mount / Multi Tones & Strobe



## ■ Candela/Sound Level and Electrical Characters

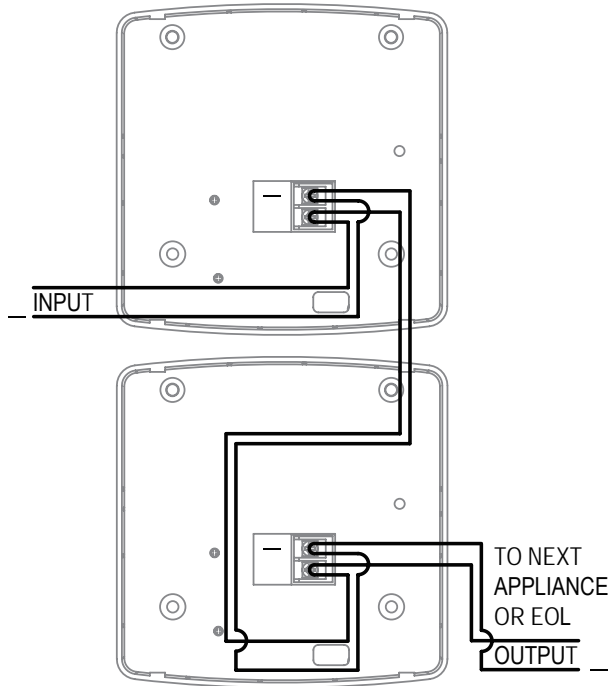
Candela Rating	Input Voltage Regulated DC	Maximum Operating Current RMS
15 cd	24 VDC	90 mA
30 cd	24 VDC	120 mA
75 cd	24 VDC	220 mA
110 cd	24 VDC	240 mA



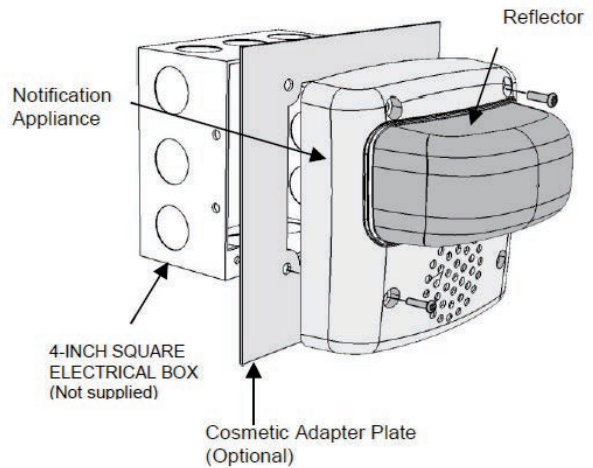
Dip-switch for available settings located on the back of the EVCA-AP3-W-MS

S1 Setting				Horn Mode	Sound Pressure Level Measurement (dBA)
SW 4	SW 1	SW 2	SW 3	Tone	Reverberant Room At 10 Feet Per UL464
SW1:1 High Output	1	1	1	Broadband Horns	80.5
	1	1	0	Horn	80.9
	1	0	1	Bell	76.7
	1	0	0	Siren	75.8
	0	1	0	Slow Whoop	77.9
	0	0	1	500Hz Horn	83.1
	0	0	0	Hi/Lo	82.5
	0	1	1	Reserved	Horn off
SW1:0 Standard Output	1	1	1	Broadband Horns	74.6
	1	1	0	Horn	75.8
	1	0	1	Bell	70.2
	1	0	0	Siren	68.6
	0	1	0	Slow Whoop	66.5
	0	0	1	500Hz Horn	73.9
	0	0	0	Hi/Lo	72.7

## ■ Wiring



## ■ Mounting Application Device



All specifications are subject to change without any notice.  
For more information, contact with NITTAN.

**NITTAN**

54-5, 1-chome, Sasazuka,  
Shibuya-ku, Tokyo 151-8535, Japan  
TEL: +81-3-5333-7021 FAX: +81-3-5333-8615

Distributed By