

■ Features

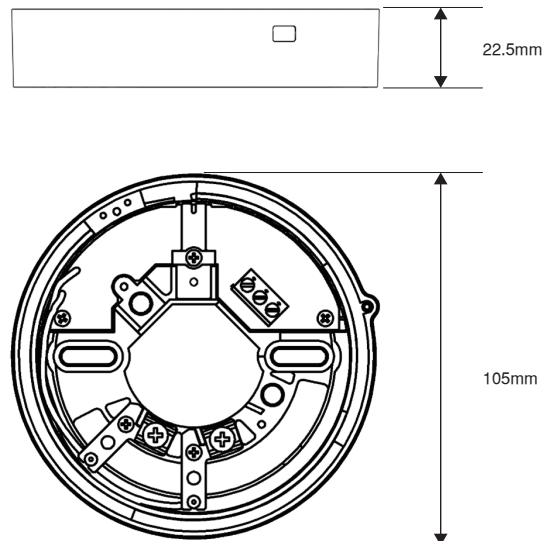
- Low power relay base
- UL Listed base
- Compatible to Nittan's UL Listed detectors
- Contains a locking screw for tamper protection
- Current Consumption 24 μ A (Stanby), 110 μ A (Alarm/Activated)
- Power supply 20VDC to 38VDC supplied by loop

■ Description

EVA-STB-RL is a 4 inch relay base for use with Nittan's UL listed detectors. It incorporates one volt-free relay contact. When a detector is in an alarm condition, the base receives a control signal from the detector and changes status of the relay. The rating of relay contact is 30 VDC@1 A.

EVA-STB-RL can be mounted to 3-1/2" octagonal electrical box, or to 4" square or 4" octagonal electrical box when using STBA-ADP optional mounting adaptor. The base is supplied with 2 terminals for SLC as standard. The 12 – 20 AWG field wire can be connected to the terminals. EVA-STB-RL contains a locking screw to avoid unauthorized removal of detectors.

■ Dimensions



■ Compatible Detector Models

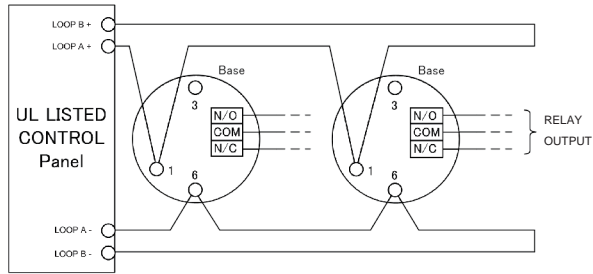
Model	Description
EVA-PY	Addressable Photoelectric Smoke Detector
EVA-PYH	Addressable Multisensory Detector
EVA-H2	Addressable Heat Detector
EVA-DPH	Addressable Dual Optical / Heat Detector



■ Installation Diagrams

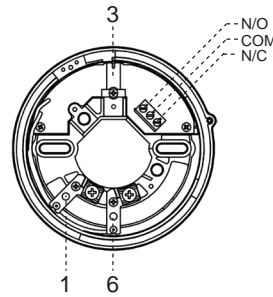
Analog addressable wiring

When connected to analog detectors such as EVA-PY, EVA-PYH, EVA-H2, EVA-DPH, etc.



Terminals

EVA-STB-RL base is supplied with 3 terminals and 1 output relay as follows:



Output Relay

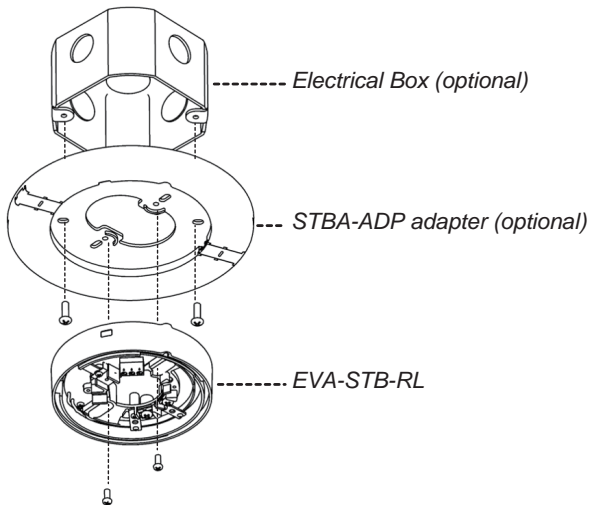
- N/O = Normally Open
- COM = Common
- N/C = Normally Closed

Terminals

- Terminal 1 = SLC+
- Terminal 6 = SLC -
- Terminal 3 = Not Use

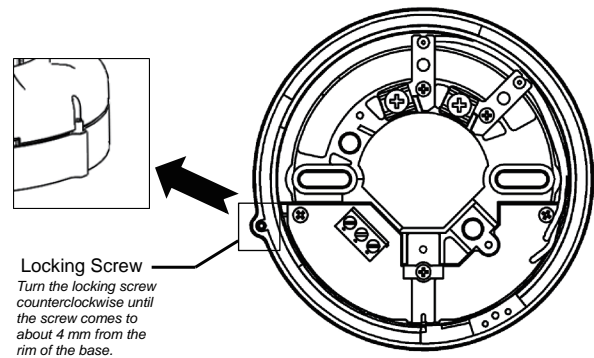
Mounting

EVA-STB-RL can be mounted to 3-1/2" octagonal electrical box, or to 4" square or 4" octagonal electrical box when using STBA-ADP optional mounting adaptor.



Locking Screw

EVA-STB-RL contains a locking screw to avoid unauthorized removal of detectors.



■ Specifications

Specifications	EVA-STB-RL
SLC Applied Voltage	Rated Range 20 VDC to 38 VDC
SLC Current Consumption	Standby: 24 μ A Alarm/Activated: 110 μ A (max)
Relay Switching Capacity	30 VDC@1 A
Operating Temperature	-10°C to +55°C (14°F to 131°F)
Storage Temperature	-20°C to +60°C (-4°F to 140°F)
Relative Humidity	\leq RH 95 % non-condensing
Environment	Indoor dry use only
Terminal	SLC: AWG12-20 Relay: AWG14-22
Dimensions	ϕ 105 mm x H 22.5 mm
Weight	80 g
Standard	UL268 and UL521

Distributed By

All specifications are subject to change without any notice.
For more information, contact with NITTAN.

NITTAN

54-5, 1-chome, Sasazuka,
Shibuya-ku, Tokyo151-8535, Japan
TEL:81-3-5333-7021 FAX:81-3-5333-8615