



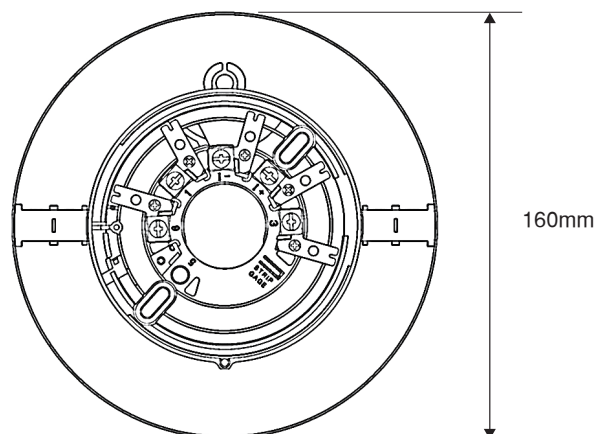
### ■ Features

- UL Listed Sounder base
- Compatible to Nittan's UL Listed detectors
- Provides 4 sound patterns (Continuous, March, ANSI 3 temporal, ANSI 4 temporal)
- Over 85 dB at 10 feet away
- Address programed by EVA-AD2 programmer
- Contains a locking screw for tamper protection
- Reduces wiring cost

### ■ Description

EVA-S6 Base is a detector base with sounder, which is individually or collectively controlled by a control panel using addressable system. The detector base has 4 sound patterns which are continuous, march, ANSI 3 temporal and 4 temporal patterns. These patterns which are used in and around buildings can be selected by a control panel. The sound pressure level at 10 feet from the base is over 85 dB. Up to 127 bases can be connected to a loop of the control panel. The base is designed to be mounted to 3-1/2" octagonal, 4" octagonal or 4" square electrical box.

### ■ Dimensions



### ■ Compatible Detector Models

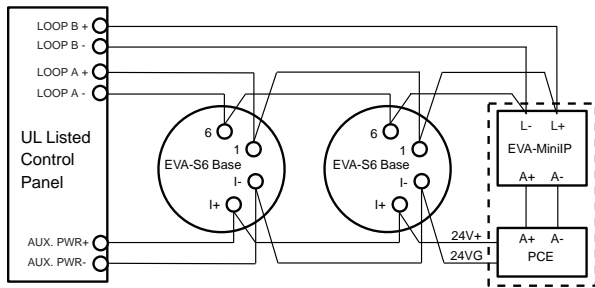
| Model   | Discription                              |
|---------|--|
| EVA-PY  | Addressable Photoelectric Smoke Detector |
| EVA-PYH | Addressable Multisensory Detector        |
| EVA-H2  | Addressable Heat Detector                |
| EVA-DPH | Addressable Dual Optical / Heat Detector |



## ■ Installation Diagrams

### Analog addressable wiring

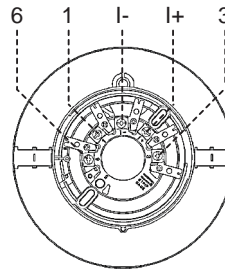
Where connected to analog detectors such as EVA-PY, EVA-PYH, EVA-H2, EVA-DPH, etc.



If the AUX. supply circuit needs to be monitored to detect short circuit or open circuit, connect PCE (End-of-line supervision module) to the end of the AUX. supply circuit and EVA-MiniIP to SLC.

## Terminals

EVA-S6 Base is supplied with 5 terminals (include 1 unused) as follows:

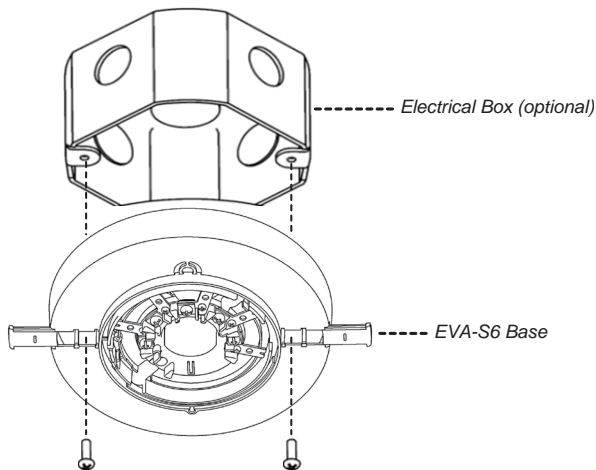


### Terminals

- Terminal 6 = SLC -
- Terminal 1 = SLC +
- Terminal I- = AUX -
- Terminal I+ = AUX+
- Terminal 3 = UNUSED

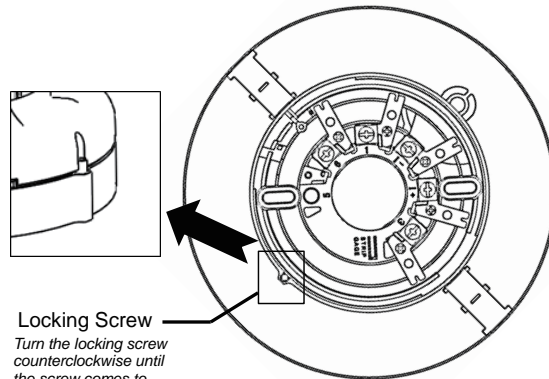
## Mounting

EVA-S6 Base can be mounted to 4" square, 4" octagonal, or 3-1/2" octagonal electrical box.



## Locking Screw

EVA-S6 Base contains a locking screw to avoid unauthorized removal of detectors.



**Locking Screw**  
Turn the locking screw counterclockwise until the screw comes to about 4 mm from the rim of the base.

## ■ Specifications

| Specifications                  | EVA-S6 Base                    |
|---------------------------------|--------------------------------|
| SLC Applied Voltage             | Rated Range 20 VDC to 38 VDC   |
| AUX. Supply Voltage             | Rated Range 16 VDC to 33 VDC   |
| SLC Current Consumption         | Standby: 0.5 mA Alarm: 1.4 mA  |
| AUX. Supply Current Consumption | Standby: 0.5 mA Alarm: 20 mA   |
| Sound pressure level            | ≥ 85 dB @ 10 feet away         |
| Maximum quantity per loop       | 127 units                      |
| Operating Temperature           | -10°C to +55°C (14°F to 131°F) |
| Storage Temperature             | -20°C to +60°C (-4°F to 140°F) |
| Relative Humidity               | ≤ RH 95 % non-condensing       |
| Environment                     | Indoor dry use only            |
| Terminal                        | AWG12-20                       |
| Dimensions                      | φ 160 mm x H 31 mm             |
| Weight                          | 170 g                          |
| Standard                        | UL268 and UL464                |

Distributed By

All specifications are subject to change without any notice.  
For more information, contact with NITTAN.

**NITTAN**

54-5, 1-chome, Sasazuka,  
Shibuya-ku, Tokyo151-8535, Japan  
TEL:81-3-5333-7021 FAX:81-3-5333-8615