



### ■ Description

The EVA-PYH3 is an analog addressable multi sensor detector certificated by UL268 7th edition for smoke and UL521 for heat detection. Advanced sensing algorithms by single smoke sensor analyzes the type of smokes and reduce nuisance alarms. The detector is compatible with the NITTAN SPERA series of fire alarm control panels. The detector is compatible with the NITTAN SPERA series of fire alarm control panels.

Stylish designed and low profile, also the detector is equipped with OMNIVIEW™ indicator, which provides 360 degrees of alarm status visibly by red light.

The EVA-PYH3 monitors smoke sensitivity inside a smoke chamber, and the drift compensation feature regularly adjust it to maintain the appropriate range of sensitivity. The detector effectively reduces cooking nuisance alarms.

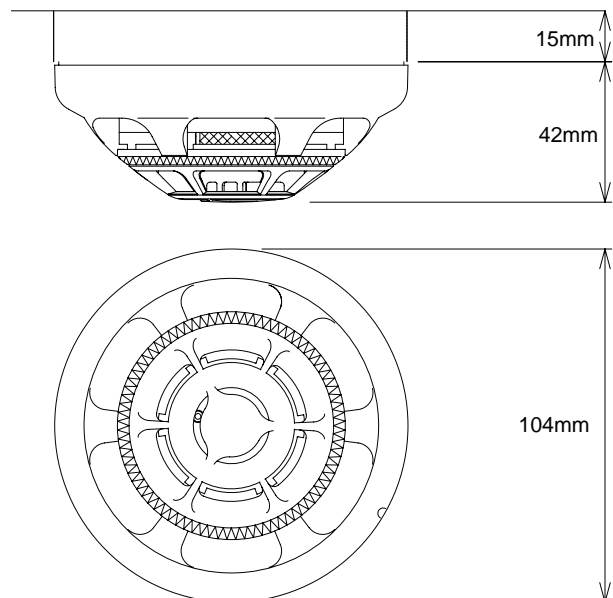
The EVA-PYH3 has two operating modes for heat detection either rate-of-rise and fixed heat at 57 °C (135 °F). The detector incorporates a heat sensing thermistor, mounted outside of smoke chamber, with the high linear circuit. The specially designed cover protects the thermistor while taking airflow.

Detector address is selectable from the range of 1 to 254, and programmed by using the EVA-AD2 hand-held address-setting tool. A remote LED indicator can be connected to the detector Terminal 3 (RIL) directly.

### ■ Features

- Capable of detecting both black and white smoke
- Heat operating mode, rate of rise and fixed heat detection at 57 °C (135 °F)
- Low profile, and stylish design
- OMNIVIEW™ 360 degrees LED indicator
- Remote indicator output
- Address selectable from a range of 1 to 254
- Provide with a dust cover
- Sensitivity drift compensation feature
- Selectable sensitivity from three levels
- Low monitoring current
- Reduce cooking nuisance alarms
- Approved to UL268 7th edition and UL521

### ■ Dimensions



## ■ Mounting Base Models

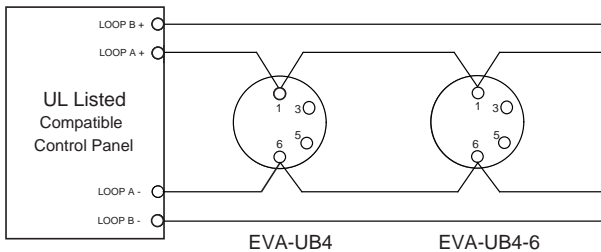
Model	Description	Instruction Manuals	Diameter	Number of Terminals
EVA-UB4	Standard 4" base	DW1401959_K2	104 mm (4 inch)	4
EVA-UB4-6*	6" base	DW1401959_K2	160 mm (6 inch)	4
EVA-S6 Base	Addressable sounder base	DW1401960_K2	160 mm (6 inch)	5
EVA-STB-RL	Relay base	DW1401853_K2	104 mm (4 inch)	6
EVA-STB-SCI	Short circuit isolator base	DW1401852_K2	104 mm (4 inch)	4
STBA-ADP**	Base adapte plate	DW1402124_K1	160 mm (6 inch)	NONE

\* The EVA-UB4-6 base is intended for applications where a 4 inch square or octagonal electrical junction box is required.

\*\* The STBA-ADP base adapter plate is intended for the EVA-STB-RL relay base and EVA-STB-SCI short circuit isolator base for applications where a 4 inch square or octagonal electrical junction box is required.

## ■ Wiring and Terminals

The EVA-PYH3 has three terminals and each terminal features are described in table below:



Terminal	Description
1	SLC Positive
6	SLC Negative
3	Use for EVA-STB-RL relay base

## ■ Specifications

Specifications	EVA-PYH	
Detector Element	Smoke	Light Emitting Diode, Photo Diode
	Heat	Thermistor (Negative temperature coefficient)
LED Visual Indicator	Standby - Flashing green LED Alarm - Solid red LED with flashing green	
Operating Voltage	20 VDC to 38 VDC Peak	
System Voltage	35 VDC	
Standby Current	200 $\mu$ A	
Alarm Current (with red LED)	6 mA	
Sensitivity	1.09 %/Ft. to 1.89 %/Ft.	
Fixed Heat Alarm Temperature	57 °C (135 °F)	
Rate of Rise Detection	Responds to greater than 8.3 °C (15 °F) / min.	
Operating Temperature	-10 °C to +55 °C (14 °F to 131 °F)	
Storage Temperature	-40 °C to +70 °C (-40 °F to 158 °F)	
Relative Humidity	$\leq$ RH 95 % non-condensing	
Addressing Method	Soft addressing, Non-Volatile EEPROM	
Address	1 to 254 (decimal)	
Maximum quantity per loop	254 units	
Dimensions	$\phi$ 104 mm x H 42 mm (Detector head only)	
	$\phi$ 104 mm x H 57 mm (Detector head and EVA-UB4 Base)	
Weight	115 g (Detector head only)	
	175 g (Detector head and EVA-UB4)	
Standard	UL268 7th edition and UL521	

All specifications are subject to change without any notice.  
For more information, contact with NITTAN.

**NITTAN**

54-5, 1-chome, Sasazuka,  
Shibuya-ku, Tokyo 151-8535, Japan  
TEL: +81-3-6407-9861 FAX: +81-3-5465-5077

Distributed By