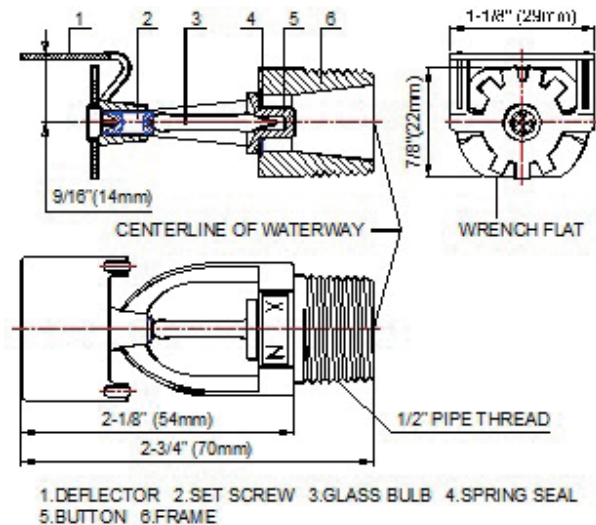




NV001

NV002



1.DEFLECTOR 2.SET SCREW 3.GLASS BULB 4.SPRING SEAL
5.BUTTON 6.FRAME

Figure A: Model NV001 /NV002

■ General Description

Horizontal sidewall sprinklers are generally used in lieu of pendent and upright sprinklers because of building construction or installation economy considerations. They are designed for installation along a wall or the side of a beam and just beneath a smooth ceiling. Installed with their centerline of waterway horizontal, these sprinklers produce a quarter-spherical water discharge pattern that is predominately directed downward and outward from the deflector; however, a portion of the spray is also directed towards the back wall.

Model NV001 / NV002, Standard / Quick Response Horizontal Sidewall Sprinklers (Ref. Figure A), are automatic sprinklers of the frangible bulb type, and standard spray, 1/2" orifice 5 / 3 mm bulb. They are "standard / quick response – standard orifice sidewall sprinklers" intended for use in fire sprinkler systems designed in accordance with the standard installation rules recognized by the applicable Listing or Approval agency (e.g. UL Listing is based on NFPA 13 requirements).

■ Features

- 1/2 inch Connection Thread
- K-5.6 (80)
- Standard & Quick Response
- 57°C, 68°C, 79°C, 93°C
- Horizontal Sidewall Standard Spray
- UL Listed

■ Sprinkler Operation

During a fire condition, the thermal-sensitive liquid in the glass bulb expands, causing the bulb to shatter, releasing the button and spring seal assembly. Water flowing through the sprinkler orifice strikes the sprinkler deflector, forming a uniform spray pattern to extinguish or control the fire.

■ Coverage

For coverage area and sprinkler placement, refer to NFPA13 standards.



■ Technical Specifications

Specifications *1	NV001	NV002
Style	Horizontal Sidewall	
Response & Bulb Nominal Dia.	Standard Response, Ø5mm	Quick Response, Ø3mm
Temp. Classification	Ordinary	Intermediate
Nominal Temp. Rating	135°F/ 57°C, 155°F/ 68°C,	175°F/ 79°C, 200°F/ 93°C
Max. Ambient Temp. Allowed *2	115°F/ 46°, 135°F/ 57°C,	155°F/ 68°C, 180°F/ 82°C
Max. Recommended Ambient Temp. *3	100°F/ 38°C, 100°F/ 38°C,	150°F/ 65°C, 150°F/ 65°C
Glass Bulb Color *4	Orange, Red,	Yellow, Green
Thread Size	NPT 1/2	
Nominal Orifice Size	1/2 Inch	
Nominal K-Factor	5.6 (U.S.) / 80 (metric)	
Max. Working Pressure	175 psig / 1.2 MPa (12 bar)	
Factory Hydrostatic Test	100% @ 500psig (3.4 Mpa)	
Min. Operating Pressure	7 psig / 0.048 MPa (0.48 bar)	
Sprinklers Finish	Brass Chrome Plated	
Listings and Approvals	UL (United States)	

Footnotes:

- 1 Sprinkler I.D. Nos and nominal U.S. K-factors provided in accordance with the 2002 edition of NFPA 13.
- 2 Based on National Fire Prevention and Control Administration Contract No. 7-34860.
- 3 Based on NFPA 13. Other limits may apply depending on fire loading, sprinkler location and other requirements of the Authority Having Jurisdiction. Refer to specific installation standards.
- 4 The temperature rating is stamped on the deflector or adjacent to orifice seat on frame.
- 5 This table shows the listings and approvals available at the time of printing. Check with the manufacturer for any additional approvals.
- 6 UL and ULC Listed for both Light-Hazard and Ordinary-Hazard occupancies.

Note: Locate with deflectors 4" to 12" (100mm to 300mm) from wells. Align horizontal sidewall sprinklers with top of deflectors parallel to the ceiling or roof.

■ Sprinkler Materials

Parts	Description
Frame	Bronze Forging UNS-C87400
Deflector	Brass UNS-28000
Glass Bulb	Glass with Glycerin Solution, JOB® G5 for NV001 JOB® F3 for NV002
Set Screw	Brass UNS-28000

Button	Brass UNS-28000
Spring	Stainless Steel
Seal	Teflon® Tape

■ Accessories

Parts	Description
Installation Wrench	Style T-1

All specifications are subject to change without any notice.
For more information, contact with NITTAN.

NITTAN

54-5, 1-chome, Sasazuka,
Shibuya-ku, Tokyo151-8535, Japan
TEL:81-3-5333-7021 FAX:81-3-5333-8615

Distributed By