

EV-MCP2-SCI-IP67 Installation instructions

- Carefully knock out the holes for the Cables glands, or conduit, required for the installation. Fix Waterproof Back Box to wall using screws through the pre-drilled holes.
Note: Do NOT make additional holes in the waterproof cavity.
- Insert the "O" Ring into the Red section of the Call Point as shown in Figure 1 below.

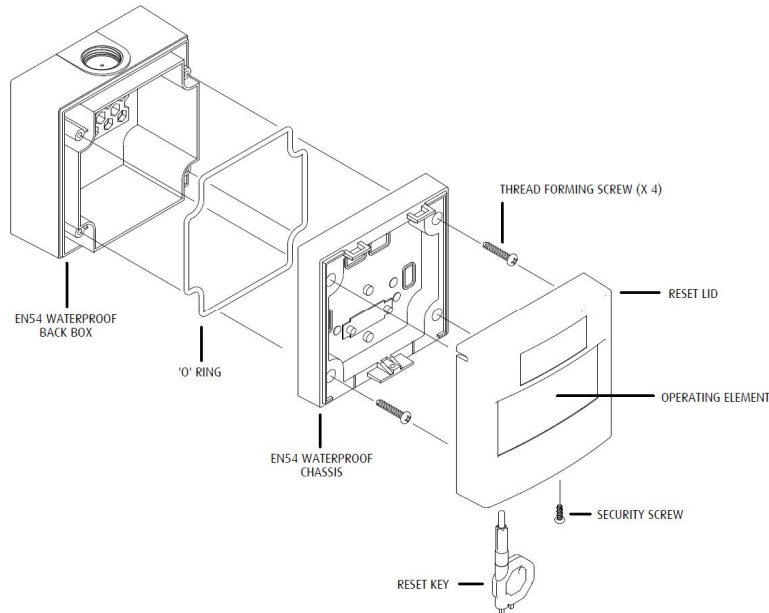


Figure 1

- Set the device address using the 8-Way DIL switch on the reverse of the Unit.
- Make the Loop connections as shown in figure 2 below and on the product Label. An Earth point is provided in the Back Box moulding if required.

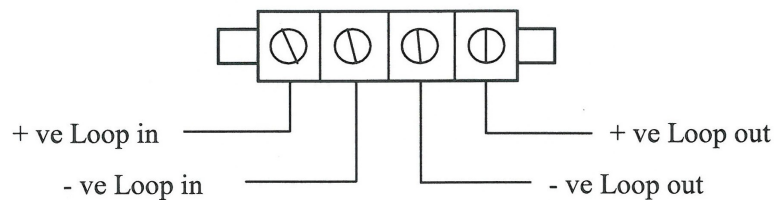




Figure 2

EV-MCP2-SCI-IP67 Installation instructions

- Fasten the Waterproof Chassis to the Back Box, then fit the Reset Lid to the unit, as shown in Figure 1, using the screws provided.
- To Activate the Call Point, Press the Operating Face, where indicated by the arrows, until it Clicks and the Yellow/Black flag is clearly visible.
- To Reset the Call Point, Insert the Reset Key where shown in Figure 1 and turn anti-clockwise until it Clicks and the Yellow/Black flag has retracted from view.

EV-MCP2-SCI-IP67 - Waterproof Resettable Manual Call Point with integral Short Circuit Isolator.	
	
	
Nittan Europe Ltd. Hipley Street, Old Woking, Surrey, GU22 9LQ United Kingdom	Tel: +44 (0) 1483 769 555 Fax: +44 (0) 1483 756 686 Email: sales@nittan.co.uk Web: www.nittan.co.uk
D.o.P. Number: 00440	
EN54-11: 2011 - Type A Outdoor Manual Call Point IP67 EN54-17: 2005 - Short Circuit Isolator	
For use with Nittan Evolution Protocol Only. Loop Voltage: 20 to 38 V d.c. Quiescent Current: 200µA Alarm Current: 2mA (LED ON).	
Technical Data Sheet: TD-EV-MCP2-SCI-IP67	

NOTES:

Not compatible with Advanced MxPro4 (Mx4000) Panel. Please use Non-SCI model.

It is not possible to mix +ve and -ve isolator styles on a system.