



■ Description

Award-winning Building Management System

Nittan Graphic Monitor (NFU-GM) is a centralized fire alarm management system that provides building or campus monitoring. As a powerful integration tool, NFU-GM allows operators to monitor remote sites from multiple workstations located anywhere in the world.

3D Visualization

NFU-GM displays monitored buildings and campuses in both 2D and 3D representations. Nittan's Engineering Services offers customized graphic services for an unrivaled and unique graphical interface. Outdated LED ladder graphics are no longer required, replace with a widescreen monitor and NFU-GM for a modern and upscale experience.

Flexible, Scalable & Customizable

The modular architecture of NFU-GM allows for a flexible, scalable and customized solution. Enterprise level homogenous (Nittan technology) and heterogeneous (3rd party technology) solutions are possible with NFU-GM.

Leading Edge Reporting

"Take Action" messages provide operators and first responders with specific, real-time information about site events including notes about hazardous materials, vulnerable building occupants, and management contacts. Real-time reports of all events are compiled, exactly as they occur. With these reports and records, operators can reconstruct emergency events after the fact, both to verify that the proper steps were taken, and to improve future responses.

■ Features

- An aesthetically pleasing high quality customizable graphical interface between administrators and monitored buildings
- Building ready monitoring control system with full software management in a user friendly graphical enabled interface
- Easy configuration and customization of alarm devices
- Remote desktop programming from any location
- Upload/download configuration files without taking the whole system off-line
- Customizable fire annunciation graphical icons to provide customer specific site representation
- Enhanced auto-watch allows the viewer to automatically scan individual buildings
- Custom alarm and system status messaging instantly inform building administrators of events and alarms
- Custom color graphical icons depict up to 500,000 addressable devices
- Extensive event logging up to 500,000 events with status notations for report customization
- Multiple import and export formats are supported
- Multi dimensional controls allow the user to precisely navigate between buildings and floors for rapid surveillance
- Drag and drop icon placement provides easy device location mapping
- Instant alarm notification provides an automatic zoom to the alarm area

■ System Requirements

Recommended Computer Specifications

Option 1: Comark Xeon Computer

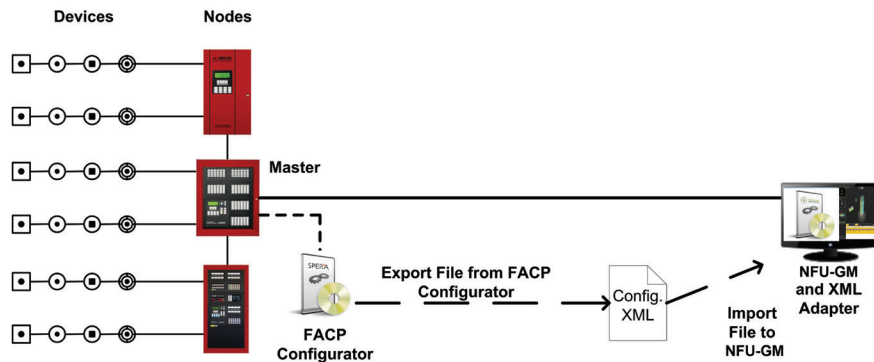
- CPU - Intel Xeon E5645@2.4 GHz (12 Cores)
- RAM - 32 GB
- GPU - ATI FirePro V (FireGL V) graphics accelerator - 2 GB / 6 GB
- OS - Windows 7 Pro 64-bit

Option 2: Generic Xeon Computer

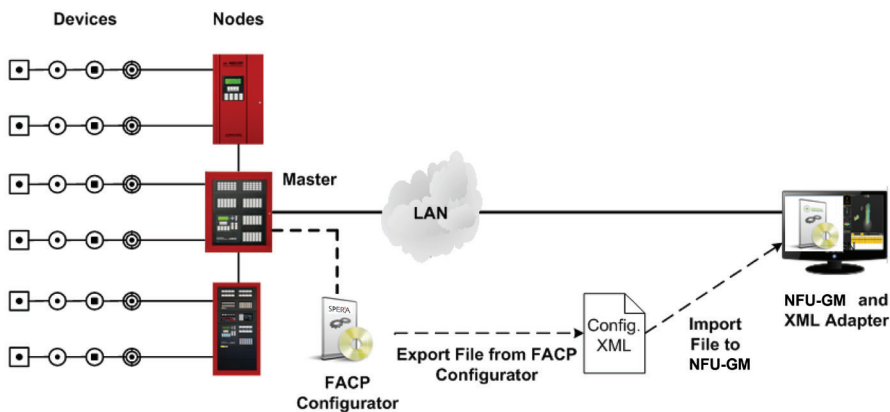
- CPU - Intel Xeon E31225@3.1 GHz (4 Cores)
- RAM - 16 GB
- GPU - NVidia Quadro 2000 - 1 GB / 8 GB
- OS - Windows 7 Pro 64-bit

Network Diagrams

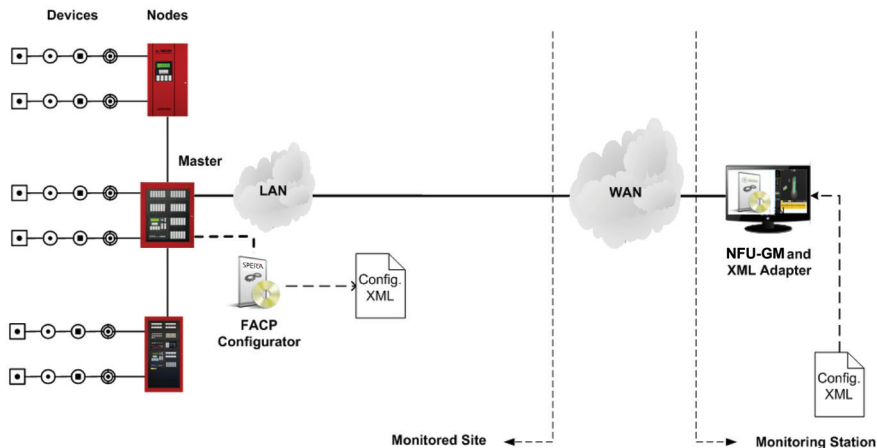
Direct Connection



LAN Connection



WAN Connection



Ordering Information

Model	Description
CONNECT-1	License for single node / panel, comes with XML Adapter software, up to 10,000 objects, and Control (on request) - Can be combined with other CONNECT licenses
CONNECT-5	License for up to (5) nodes / panels, comes with XML Adapter software, up to 50,000 objects, and Control (on request) - Can be combined with other CONNECT licenses
CONNECT-10	License for up to (10) nodes / panels, comes with XML Adapter software, up to 100,000 objects, and Control (on request) - Can be combined with other CONNECT licenses

Distributed By

All specifications are subject to change without any notice.
For more information, contact with NITTAN.

NITTAN

54-5, 1-chome, Sasazuka,
Shibuya-ku, Tokyo151-8535, Japan
TEL:81-3-5333-7021 FAX:81-3-5333-8615